



# 80x80x15mm / 3.15x0.6inch

## 39~23 CFM

Model No	Rated Volt	Voltage Range	Input Power	Rated Current	Ref. Speed	Max. Airflow		Max. Static Pressure		Noise Level	PQ Curves
	VDC	VDC	Watt	A	RPM	CFM	m3/min	Inch/H2O	mm	db(A)	
SD8015PT-05H	5	4~6	1.4	0.28	3600	39	1.1	0.16	4.06	38	H
SD8015PT-05M	5	4~7	1.0	0.20	3100	33	0.9	0.12	3.05	34	M
SD8015PT-05L	5	4~7	0.8	0.15	2700	28	0.8	0.09	2.29	31	L
SD8015PT-12H	12	8~13.8	2.2	0.18	3600	39	1.1	0.16	4.06	38	H
SD8015PT-12M	12	8~13.8	1.8	0.15	3100	33	0.9	0.12	3.05	34	M
SD8015PT-12L	12	8~14	1.4	0.12	2700	28	0.8	0.09	2.29	31	L
SD8015PT-24H	24	12~27.6	2.9	0.12	3600	39	1.1	0.16	4.06	38	H
SD8015PT-24M	24	12~27.6	2.4	0.1	3100	33	0.9	0.12	3.05	34	M
SD8015PT-24L	24	12~28	2	0.08	2700	28	0.8	0.09	2.29	31	L

- \*\* = "WB" for wire lead type Ball bearing, or "TB" for terminal type Ball bearing
- Sinwan reserves the right to change data and improve electrical & mechanical design without notice, data tolerance +-10%

### Motor

Motor Type: Brushless DC Motor, auto cutoff auto restart optional only

Burnout Protection: Impedance protected

IP Protection: -

### Mechanical

Frame: Glass fiber reinforced thermoplastic, rated UL94V-0(PT)

Impeller: 9 blades, glass fiber reinforced plastic, rated UL94V-0

Bearing: Two ball bearings

Rotation: CCW seen on rotor

Connection: Wire lead or terminal flat pin connecting

Weight: 75 g (0.17 Lbs)

### Electrical

Dielectric Strength: 500 VAC/min. Max leakage 500mA

Speed Control: Optional: PWM, S/C NTC thermister

Signal Output: Optional: R/D alarm output, tachometer output

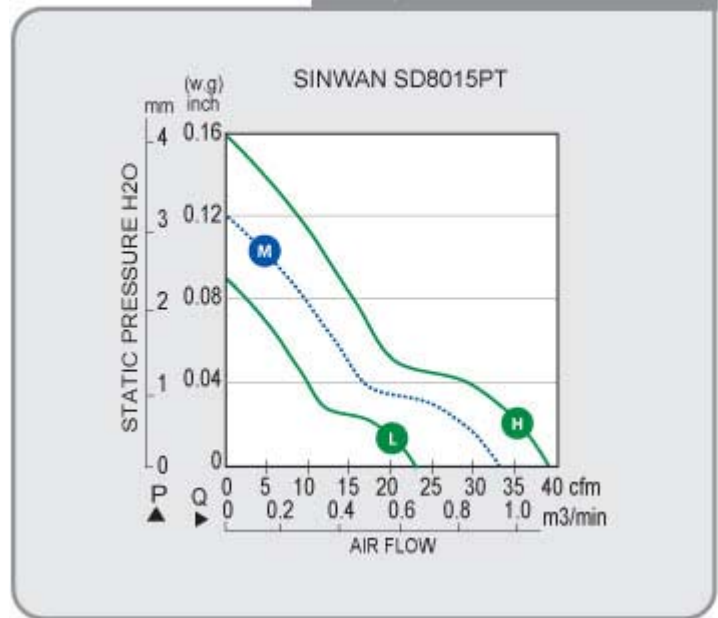
### Environment

Operating Temp: Ambient non-condensing -15~ +65C

Storage Temp: -25C~ +80C (at 65%RH)

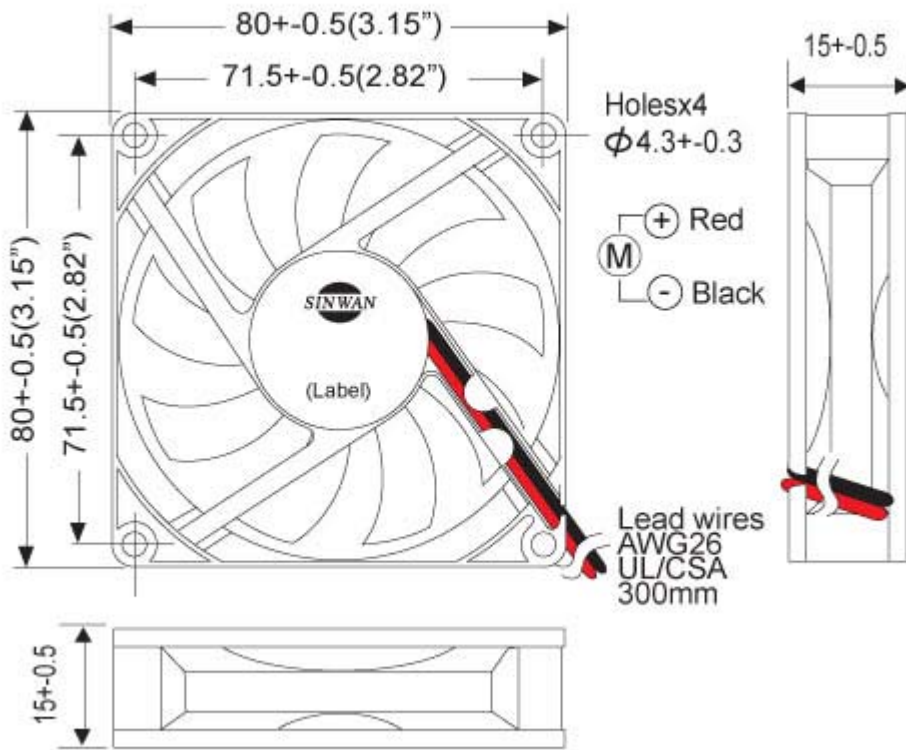
Life Expectancy: L10 50K hours at 45C, 40K hours at 65C

### Performance P-Q Curves



- Nomenclature
- R/D Alarm
- F/G Tach
- S/C Function
- PWM Function

▶ Outline Dimensions



Relevant products



Metal Fan Guard  
 G80-18



Plastic Fan Guard  
 G80P, G80P2, G80P2A,  
 G80P4



Plastic Fan Filter  
 GRM80-30, GRM80-45



Metal Fan Screen  
 MF80S-30N



RoHS