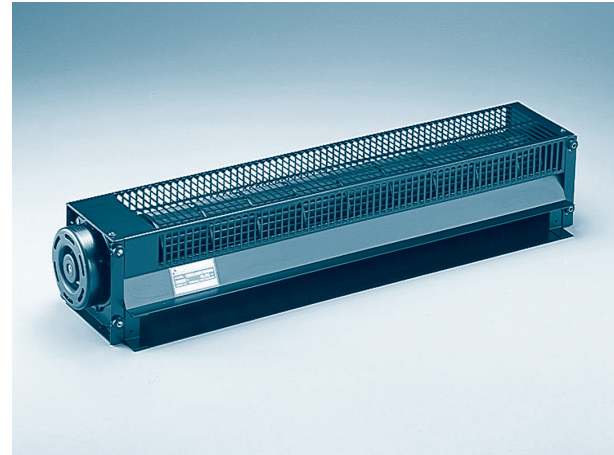
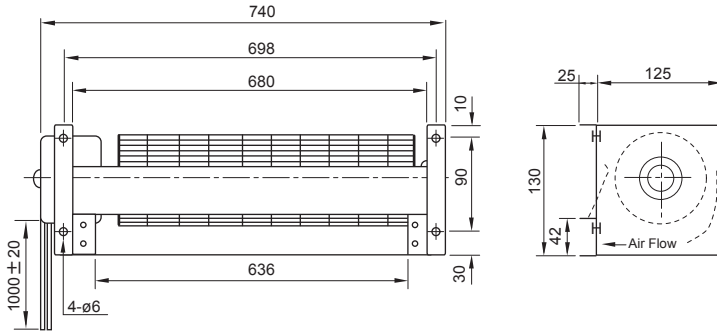


# UF9060 Series

Size : 740 x 150 x 130  
Unit : mm



## Thermally-Protected



Spec.	Rated Voltage	Frequency	Input Power	Rated Current	Locked Current	Speed	Maximum Air Flow	Maximum Air Flow	Maximum Pressure	Maximum Pressure	Noise	Weight
Model	V	Hz	W	A	A	RPM	m <sup>3</sup> /min.	CFM	mmH <sub>2</sub> O	InchH <sub>2</sub> O	dB	kg
UF9060CBP12HL	120	50	130	1.00	1.40	2150	15.5	550	9	0.35	55	6
		60	160	1.25	1.40	2100	15.0	530	11	0.43	54	
UF9060CBP23HL	230	50	130	0.55	0.75	2150	15.5	550	9	0.35	55	6
		60	160	0.70	0.75	2100	15.0	530	11	0.43	54	