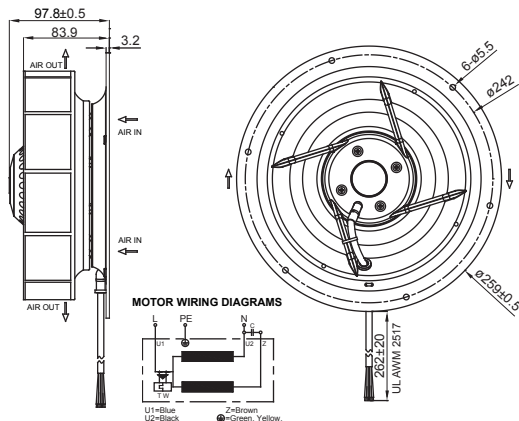


UF220APA-F Series

Size : $\varnothing 259 \times 97.8$
Unit : mm

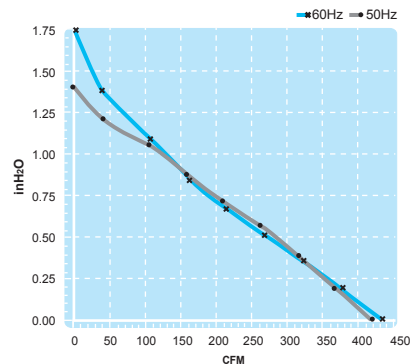


Thermally-Protected



Lead Wire Type

(Centrifugal Fan)



Spec. / Model	Rated Voltage V	Frequency Hz	Input Power W	Rated Current A	Locked Current A	Speed RPM	Maximum Air Flow m ³ /min.	Maximum Air Flow CFM	Maximum Pressure mmH ₂ O	Maximum Pressure InchH ₂ O	Capacitor μ F/VDB	Noise dB	Weight kg
UF220APA11H2C2F	115	50	90	0.63	0.88	2500	12.0	424	36	1.4	10/250	64	1.9
		60	117	0.80	0.93	2650	12.3	434	45	1.8		65	
UF220APA23H2C2F	230	50	90	0.35	0.47	2500	12.0	424	36	1.4	2/450	64	1.9
		60	117	0.39	0.49	2650	12.3	434	45	1.8		65	