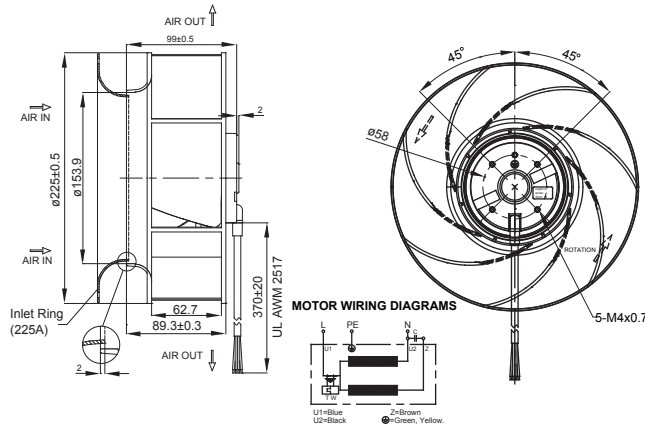


UF225(99)APA Series

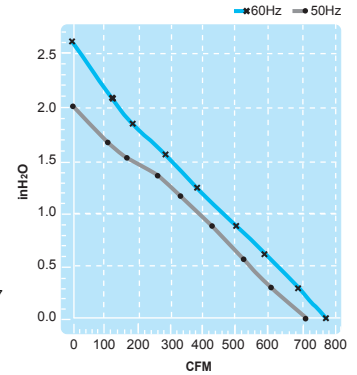
Size : $\varnothing 225 \times 99$
Unit : mm



Thermally-Protected



(Centrifugal Fan)



Lead Wire Type



Spec. / Model	Rated Voltage (V)	Frequency (Hz)	Input Power (W)	Rated Current (A)	Locked Current (A)	Speed (RPM)	Maximum Air Flow (m ³ /min.)	Maximum Air Flow (CFM)	Maximum Pressure (mmH ₂ O)	Maximum Pressure (InchH ₂ O)	Capacitor (μF/VDB)	Noise (dB)	Weight (kg)
UF225(99)APA 11H1C2A	115	50	128	1.16	2.22	2650	20	700	51	2.0	16/250	69	2.3
		60	160	1.41	2.30	2950	22	770	66	2.6		71	
UF225(99)APA 23H1C2A	230	50	126	0.57	1.14	2650	20	700	51	2.0	4/450	69	2.3
		60	157	0.70	1.15	2950	22	770	66	2.6		71	