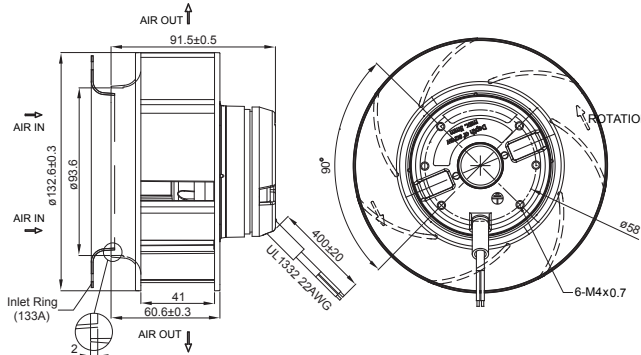
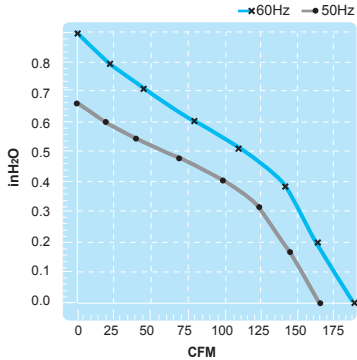


UF133(91)APA Series

Size : $\varnothing 132.6 \times 91.5$
Unit : mm

(Centrifugal Fan)



Lead Wire Type



Thermally-Protected



Spec.	Rated Voltage	Frequency	Input Power	Rated Current	Locked Current	Speed	Maximum Air Flow	Maximum Air Flow	Maximum Pressure	Maximum Pressure	Capacitor	Noise	Weight
Model	V	Hz	W	A	A	RPM	m ³ /min.	CFM	mmH ₂ O	InchH ₂ O	μ F/VDB	dB	kg
UF133(91)APA 11H1S2A	115	50	42	0.50	0.83	2780	4.66	165	16.6	0.65	---	50	0.9
		60	41	0.43	0.72	3200	5.33	188	22.4	0.88	---	60	
UF133(91)APA 23H1S2A	230	50	40	0.24	0.39	2780	4.66	165	16.6	0.65	---	50	0.9
		60	39	0.21	0.34	3200	5.33	188	22.4	0.88	---	60	